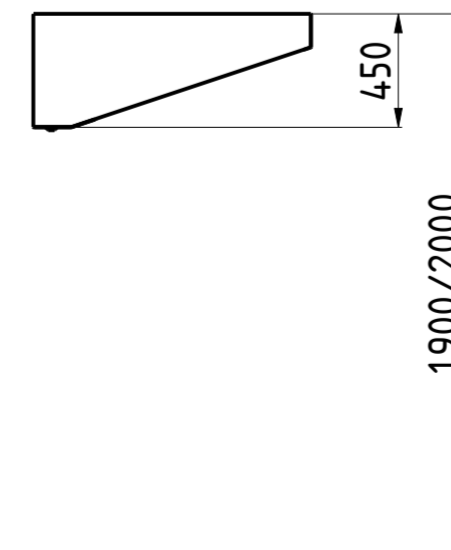
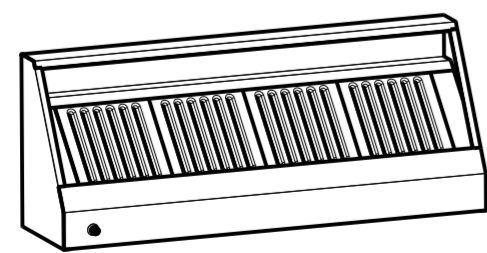
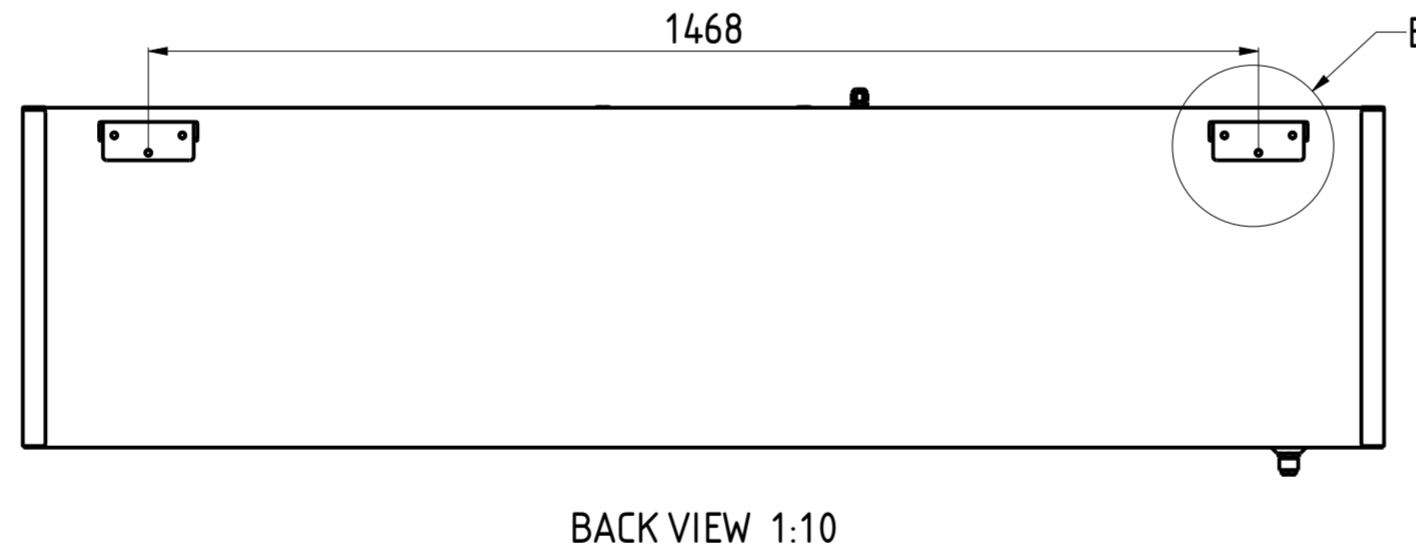
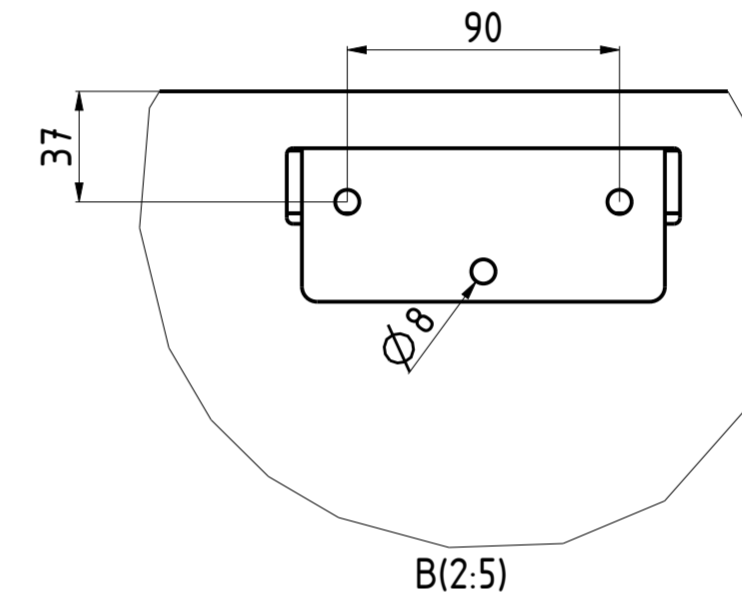
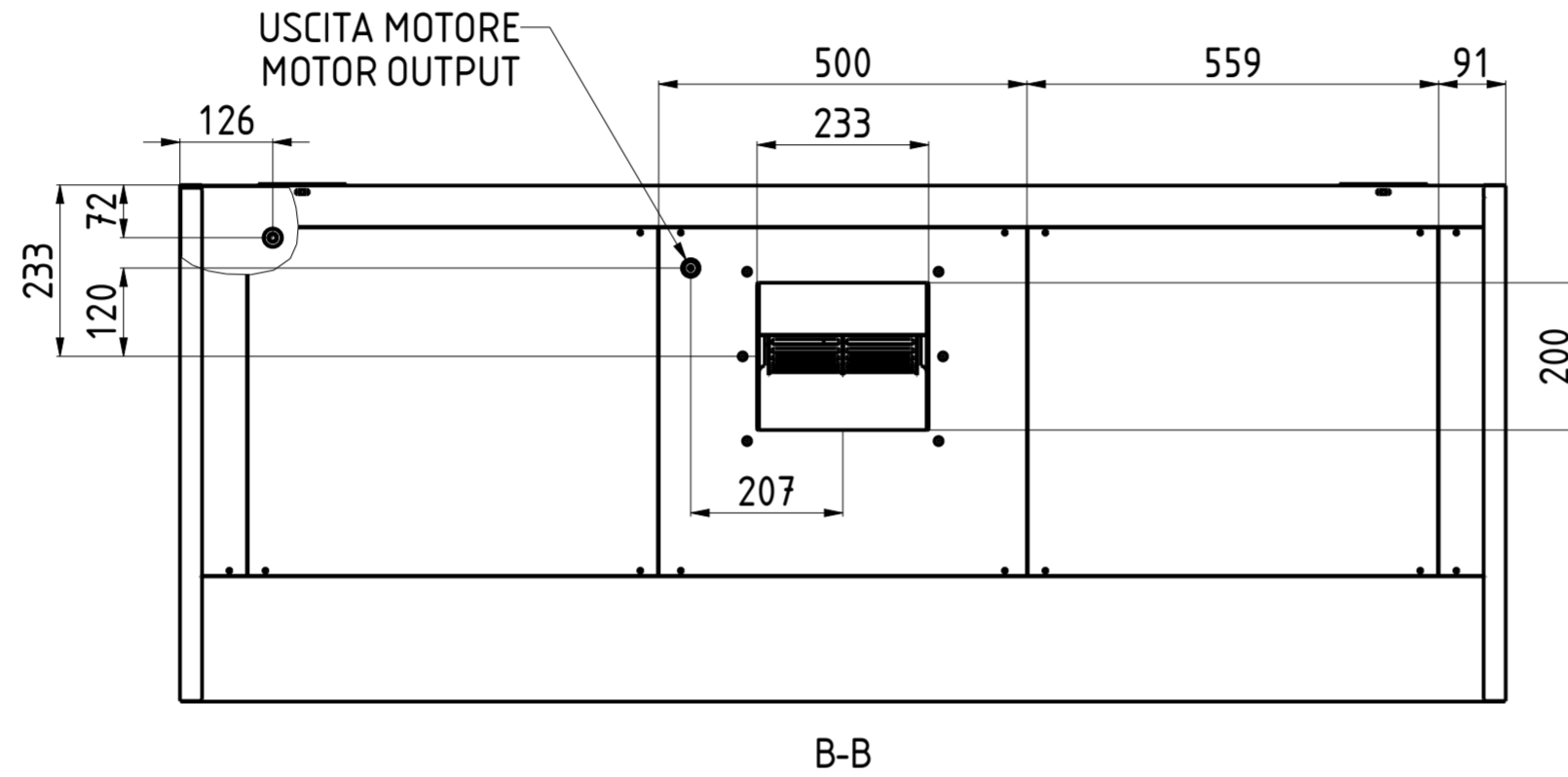
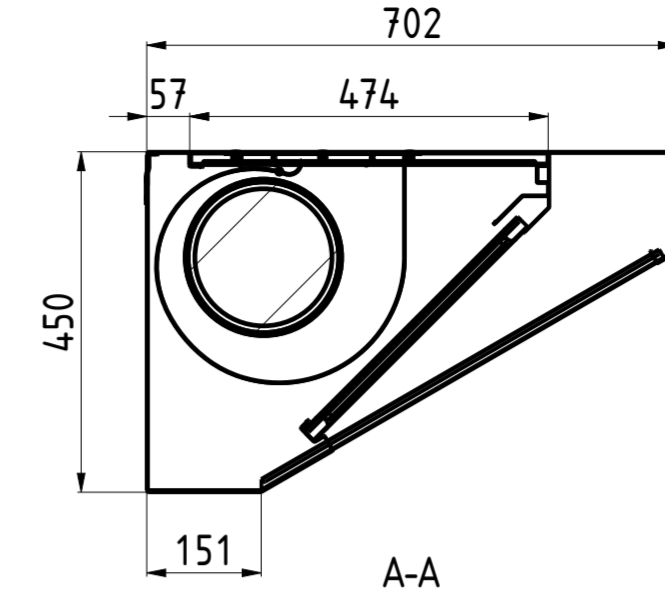
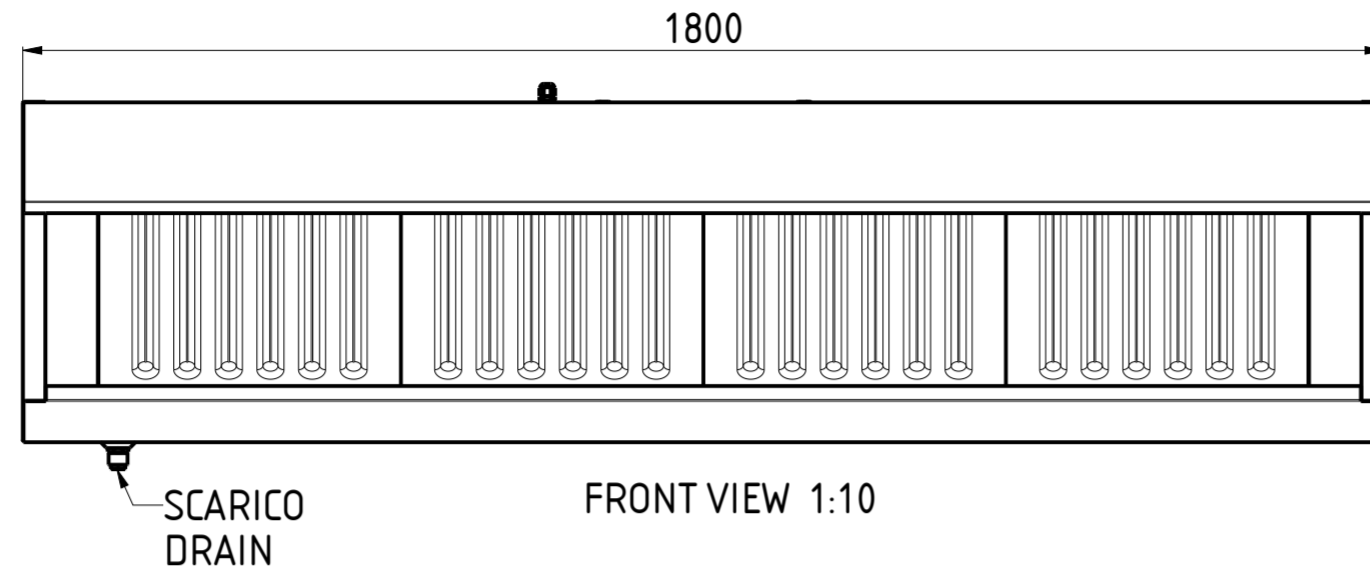


CHSN07L180



1900/2000

NR. LUCI NR. LIGHTS	PORTATA FLOW RATE	HST mmH ₂ O	WATT	SDR	PESO (Kg) WEIGHT (Kg)
—	1600	15	147	7/7	74

DATA DATE	MODIF. N. MODIF. NO.	DESCRIZIONE MODIFICHE MODIFICATION DESCRIPTION	DISEGNATO DRAWN BY	APPROVATO APPROVED
MODELLO CAPPA SNACK CON MOTORE 7/18 MODEL SNACK HOOD WITH MOTOR 7/18			SCALA SCALE	-
PARTICOLARE SCHEDA TECNICA DETAIL DATA SHEET			DATA DATE	-
MATERIALE MATERIAL	AISI 304 - AISI 430	SPES. THICK.	SHEET 2 OF 5	
FINITURA FINISH		PEZZI N. PIECES NO.	ULTIMA EMISS. LAST EDITION	
TRATTAMENTO TREATMENT		COLORE COLOUR		
			mm	
FORM.A-2				

ELABORATO CON SISTEMA CAD
DESIGNED BY CAD/STEM
 QUOTA PRIMARIA
PRIMARY DIMENSION
 XX
 ANGOLI
Angles
 >30°
 $\pm 0,30$
 >500
 $\pm 0,75$
 400-500
 $\pm 0,65$
 315-400
 $\pm 0,60$
 250-315
 $\pm 0,55$
 180-250
 $\pm 0,50$
 120-180
 $\pm 0,45$
 80-120
 $\pm 0,40$
 50-80
 $\pm 0,35$
 30-50
 $\pm 0,30$
 18-30
 $\pm 0,25$
 10-18
 $\pm 0,20$
 5-10
 $\pm 0,15$
 0-5
 $\pm 0,10$
 LUNGH. E DIAM.
LENGTH AND DIAM.
 TOLLERANCE UNLESS OTHERWISE STATED
 QUOTE SENZA TOLLERANZA
 TOLERANCE UNLESS OTHERWISE STATED